

# DL-406

## 120V Line Voltage

### 6" NON-IC Type Shallow Housing For Incandescent

Catalog #		Type
Project		Date
Prepared by		

#### INCANDESCENT

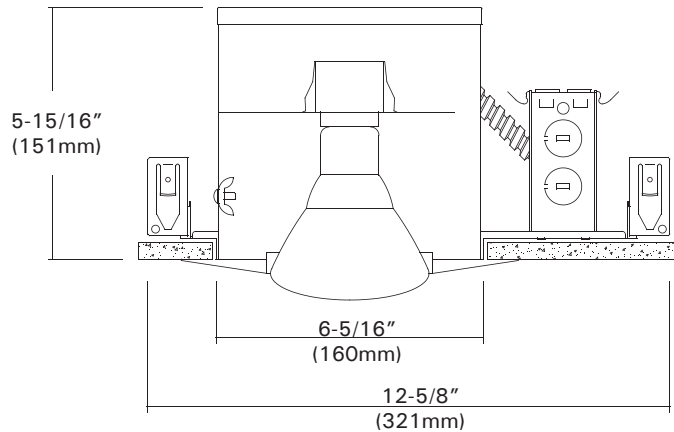


#### DESCRIPTION

The DL-406 is a 6" aperture housing for accent and task lighting.

#### APPLICATION

The DL-406 is designed for use in both non-insulated and insulated ceilings. Insulation must be kept a minimum of 3" from all sides of the housing.



Hanger Bar : 13-1/4" Will Expand To 25"

#### DESIGN FEATURES

Ceiling Cut-out : 6-1/2"

Lamp, Max, Watt. : 150W A19/R40/R30/PAR38/PAR30

##### • Housing

- Galvanized steel housing.
- 5-11/16" height allows use in 2"X6" joist construction.
- Housing adjusts for ceilings up to 1-1/4" thick.

##### • Junction Box

- Listed for through branch circuit wiring. (Max. 8 No 12 AWG 90°C branch circuit conductors. (4 in, 4 out)
- (5) 1/2" knockouts with true pry-out slots and (4) knockouts with Romex cable clamp.
- Ground wire provided on J-box.

##### • Mounting Frame

- Galvanized steel construction.
- 10-3/8" L x 7-1/16" W

##### • Bar hangers

- Maximum extension of 24" allows for extra distance between joists.
- Housing can be positioned at any point within 24" joist span.
- Score lines allow "toolless" shortening for 12" joists. Bar hangers may be repositioned 90 degrees.
- Integral T-bar clips snaps onto T-bars and no additional clips are required.

##### • Just-A-Nail

- Pre-installed nail bars with vertical slots are used to evenly align the bars horizontally after nailing halfway into wood joists.

##### • Socket

- Medium base porcelain with nickel-plated copper screw shell.
- Snaps into bracket for consistent lamp positioning.

##### • Lamp

- Lamp ratings based on trim selected - See trim page for more details.

##### • Thermal Protector

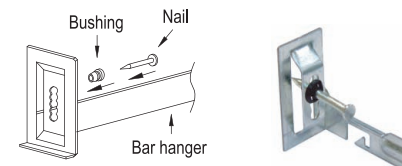
- Self-resetting thermal protector in the housing deactivates fixture if overheating occurs due to improper lamping or insulation.

##### \* Listing

- UL, c-UL listed for damp location.
- UL, c-UL listed for feed through.

##### • Just-A-Nail

Adjustable nail hanger bar for easy alignment.



**JUST-A-NAIL**

##### • Optional "Quick Connect" Push-in wire connectors.

- Three "Quick Connectors"
- Pre-installed push-in wire connectors for fast and easy wiring.

# Trims

## 6" Incandescent Trims For

DL-406, DL-406R, IC-406AT, IC-406RAT

Catalog #		Type
Project		Date
Prepared by		

### INCANDESCENT

<p><b>TM-3</b> (For PAR30) <b>TM-4</b> (For PAR38) Open Trim NON-IC : PAR30-75W R30/BR30-65W NON-IC : PAR38/R40-150W White Metal Trim Ring O.D : 8"</p>	 <p>TM-3-WH      TM-4-WH</p>	<p><b>TM-8E</b> Eyeball NON-IC : PAR30L/BR30 -75W IC : PAR30L-75W White Metal Trim Ring O.D : 8-1/8"</p>	 <p>TM-8E-WH</p>
<p><b>TM-98E</b> Regressed Eyeball w/Baffle NON-IC : PAR30L/BR30-75W IC : PAR30L-50W White Metal Trim Ring O.D : 7-1/2"</p>	 <p>TM-98E-WH      TM-98E-BK</p>	<p><b>TM-52</b> Wall Wash NON-IC : A19-60W White Metal Trim Ring O.D : 8-1/8"</p>	 <p>TM-52-WH</p>
<p><b>TM-3B/TM-3BF</b> <b>TM-3BP</b> (For Lexan) Metal Baffle PAR30/R30 - 75W Max. White Plastic Trim Ring O.D : 7-1/2" *Symbol (BF) is for self-flange</p>	 <p>TM-3B-WH      TM-3B-BK</p>	<p><b>TM-54B</b> (w/ Baffle) <b>TM-54R</b> (w/ Reflector) Wall Wash NON-IC : PAR30/R30-75W White Plastic Trim Ring O.D : 7-1/4" (Only)</p>	 <p>TM-54B-WH TM-54R-CL</p>
<p><b>TM-4B/TM-4BF</b> <b>TM-4BP</b> (For Lexan) Metal Baffle NON-IC : PAR38/R40-150W Max. White Plastic Trim Ring O.D : 7-1/2" *Symbol (BF) is for self-flange</p>	 <p>TM-4B-WH      TM-4B-BK</p>	<p><b>TM-5/TM-5P</b> <b>TM-15P</b> (w/ Reflector) Shower Fresnel lens NON-IC : A19 - 60W Max. IC : A19 - 40W Max. White Metal Trim Ring O.D : 8-1/8" *Symbol (P) is for Lexan Trim</p>	 <p>TM-5-WH</p>
<p><b>TM-3R</b> Specular Reflector NON-IC : PAR30/R30 -75W IC : PAR30L-75W BR30-65W PAR30-50W. White Plastic Trim Ring O.D : 7-1/2"</p>	 <p>TM-3R-CL      TM-3R-GD</p>	<p><b>TM-6/TM-6P</b> <b>TM-16P</b> (w/ Reflector) Shower Drop Opal lens NON-IC : A19 - 60W Max. IC : A19 - 40W Max. White Metal Trim Ring O.D : 8-1/8" *Symbol (P) is for Lexan Trim</p>	 <p>TM-6-WH</p>
<p><b>TM-4R</b> Specular Reflector NON-IC : PAR38/R40-150W White Plastic Trim Ring O.D : 7-1/2"</p>	 <p>TM-4R-CL      TM-4R-GD</p>	<p><b>TM-7/TM-7P</b> <b>TM-17P</b> (w/ Reflector) Shower Albalite Lens NON-IC : A19 - 60W Max. IC : A19 - 40W Max. White Metal Trim Ring O.D : 8-1/8" *Symbol (P) is for Lexan Trim</p>	 <p>TM-7-WH</p>

### ORDERING INFORMATION

Choose the catalog / finish codes that best suit your needs and enter it on the appropriate line.

TRIM MODEL	REFLECTOR	BAFFLE	METAL RING
	CL :Clear	WH :White	WH :White
	WH :White	BK :Black	BK :Black
	GD :Gold	SN :Satin Nickel	SN :Satin Nickel
	MA :Matte Platinum	AN :Antique Nickel	AN :Antique Nickel
	CP :Champagne	AC :Antique Copper	AC :Antique Copper
	PR :Pewter	MO :Mocha	MO :Mocha
	HC :Haze Clear	CA :Cappuccino	CA :Cappuccino
		CH :Chrome	CH :Chrome
		UN :Natural Steel	UN :Natural Steel
		PB :Polished Brass	PB :Polished Brass

Examples:

TM-3-WH = White Trim Ring  
TM-3B-UN = Natural Steel Trim Ring w/Natural Steel Baffle  
TM-52-WH = White Trim Ring w/ White Wall Wash Plate

◆ Available with metal rings (7-1/2" O.D).

◆ All trims are damp location, Lens trims are wet location listed.

#### PLASTIC RING OPTIONS

WS :7-1/4" O.D (White)  
WO :7-7/8" O.D (White)